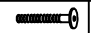
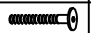

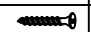



Read this instruction carefully. See hardware and furniture part list for guidance. Be sure all parts are complete, before you assemble. Place all wooden furniture parts on a clean and flat soft surface to prevent from being scratched. Follow the figure to start assembling.

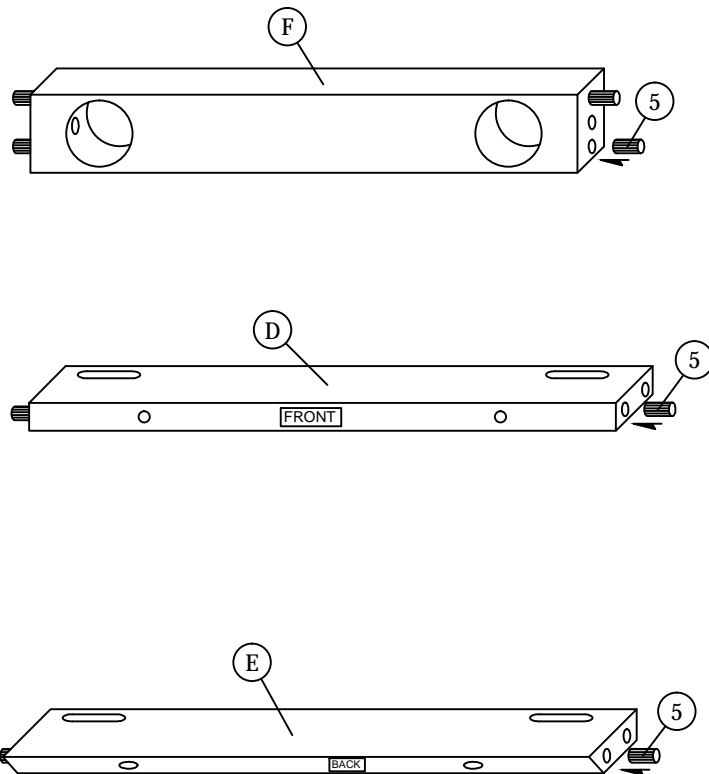
CAUTION : 1. Do not FULLY - TIGHTEN the nuts or nuts bolts until they are ready for assembly.
 2. Do not OVER - TIGHTEN the nuts or bolts to avoid causing damages to the thread.
 3. Keep all hardware parts out of reach of children.

NOTE : THE LIST AND QUANTITY SHOWN ARE FOR 1 UNIT ASSEMBLY.

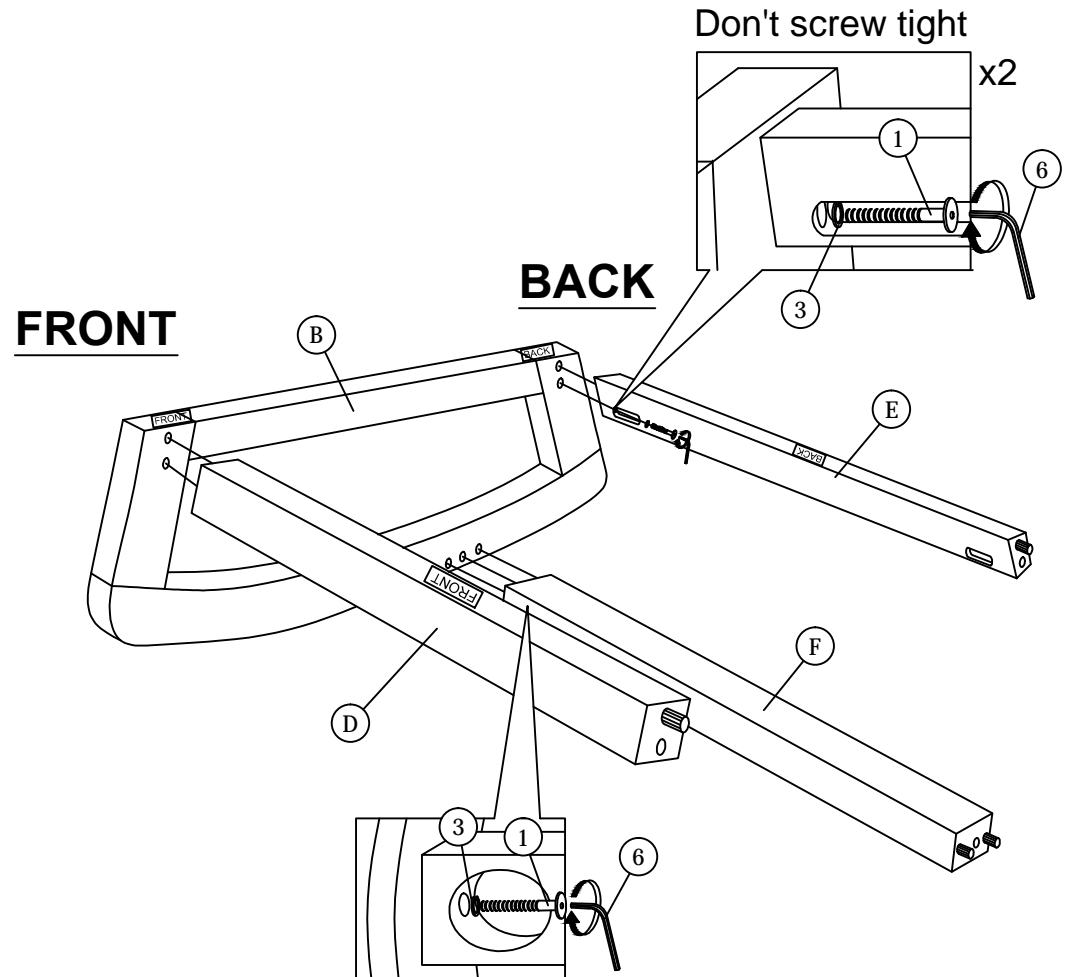
PART LIST		
ITEM	DESCRIPTION	QTY
A	CHAIR	1 PC
B	CHAIR LEG (L)	1 PC
C	CHAIR LEG (R)	1 PC
D	FRONT RAIL	1 PC
E	BACK RAIL	1 PC
F	BOTTOM RAIL	1 PC

HARDWARE LIST		
ITEM	DESCRIPTION	QTY
1	JCBB BOLT M8 x 50mm 	6 PCS
2	JCBB BOLT M8 x 60mm 	2 PCS
3	M8 SPRING WASHER 	8 PCS
4	WOOD SCREW M4 x 38mm 	4 PCS
5	WOOD DOWEL M8 x 35mm 	8 PCS
6	M5 ALLEN KEY (BALL SHAPE) 	1 PC

STEP 1



STEP 2



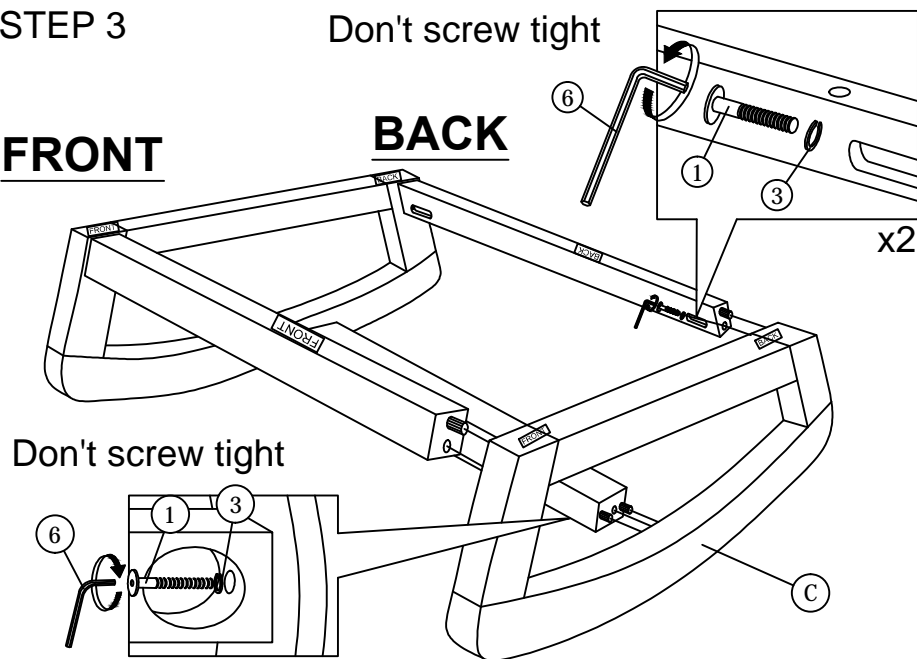
ASSEMBLY INSTRUCTIONS

STEP 3

Don't screw tight

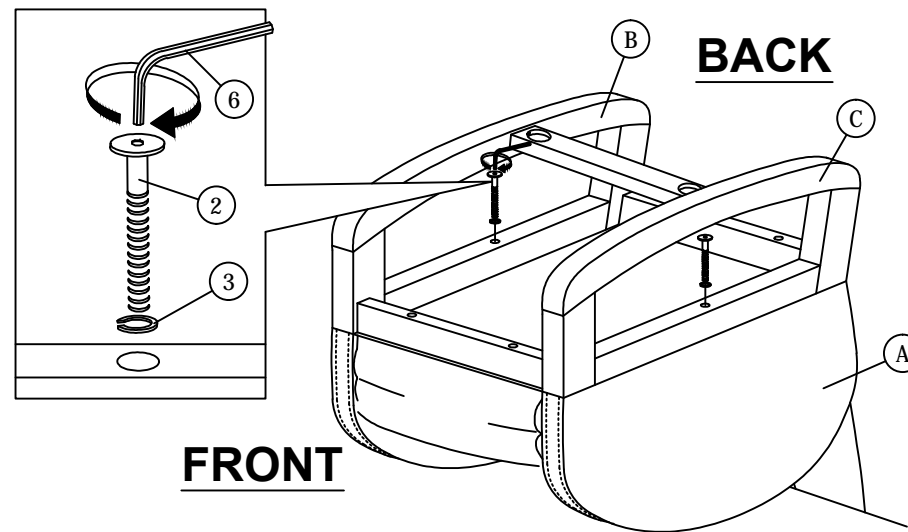
FRONT

BACK

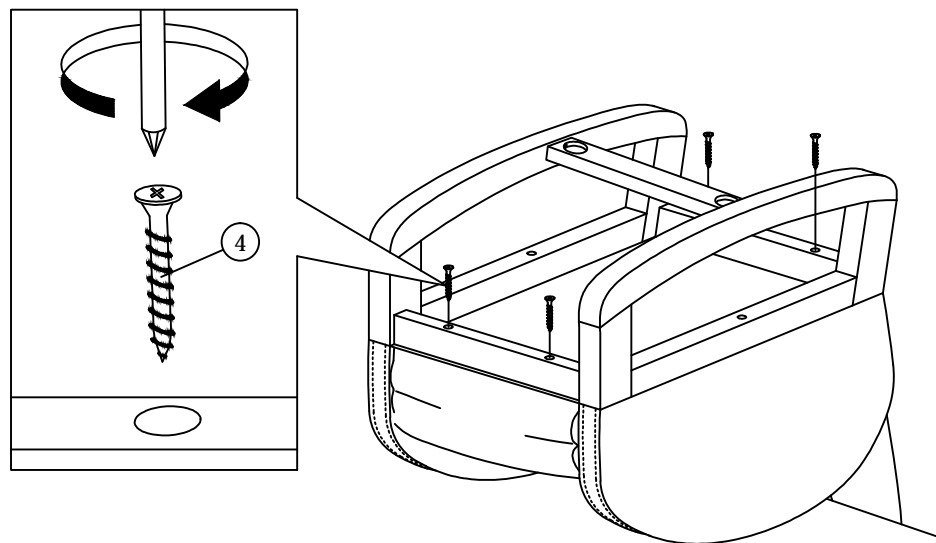


STEP 4

**Finish step 4,
Please screw tight the step 2 and step 3 bolts.



STEP 5



STEP 6

